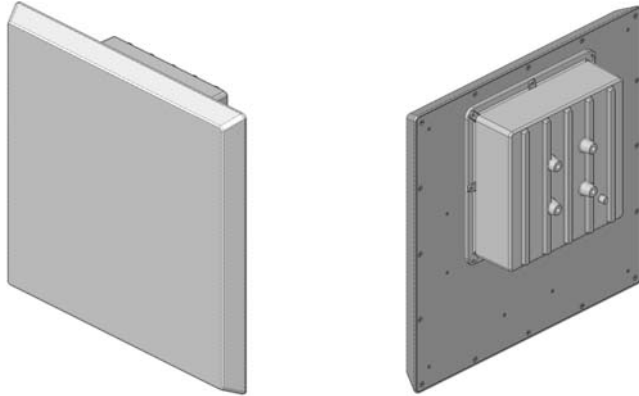


5.15-5.875GHz 24/23dBi Dual Polarization Panel Antenna for ARC IES™, Integrated Enclosure Solution



- ◆ Fits ARC's IES™ Gen I & Gen II Enclosures—SOLD SEPARATELY— Part #ARC-IE1001K02 or Part #ARC-IE2000K01, both include mounting bracket
- ◆ US Engineered
- ◆ Manufactured under strict US quality control procedures
- ◆ High gain, competitive pricing
- ◆ Low profile and rugged design for outdoor use
- ◆ Custom Enclosures available

Mechanical and Environmental Specifications	
Length x Width x Depth	15.2in x 15.2in x 1.12in (386mm x 386mm x 28.4mm)
Weight	3.6lbs (1.66kg)
Backplane	Aluminum
Radome	UV stabilized ABS plastic, gray
Wind Survivability	125mph (201kph)
Wind Load	1.6ft ² (0.148m ²)
Operating Temperature Range	-49°F to 149°F (-45°C to 65°C)
Pole Mount Diameter Range	0.75in to 3.0in (19mm to 76mm)
Environmental	IP 67
Connector (2)	R/A SMA Jack

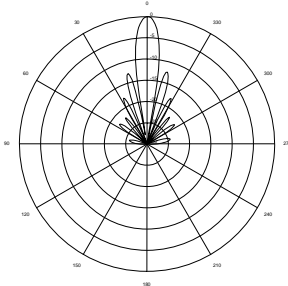
Shipping Information	
Sizes and Weights	Description
18.625" x 15.3" x 15.25" (473mm x 388.6mm x 387.4mm) 34 lbs (15.4 kg)	Bulk Pack, includes 10 in an overpack box

Electrical Specifications	
Frequency Range	5.15—5.875 GHz
Gain	24dBi Vertical 23dBi Horizontal
3dB Beamwidth Vertical/Horizontal	8 degrees/8 degrees
ETSI	ETSI 2, 3, and 5
VSWR 5.15-5.35GHz 5.35-5.875GHz	≤2.0:1 max ≤1.5:1 typ., ≤1.7:1 max.
Port to Port Isolation	40dB (minimum)
Front-to-Back Ratio	>40 dBi
Cross Polarization	>30 dBi
Sidelobe Level	>12 dBi
Power Rating	30 watts
Impedance	50 ohms
Lightning Protection	DC ground

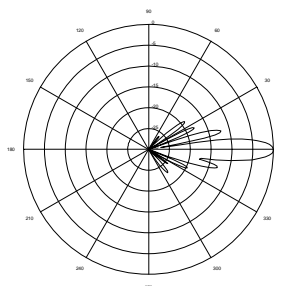
Ordering Information	
Part #	Description
ARC-ID5823B88	5.8GHz 24/23dBi Dual Pol, R/A SMA Jack

Vertical Polarization

RF Patterns
Vertical Cut, typ.

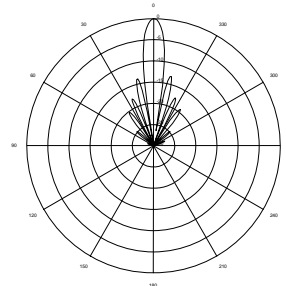


RF Patterns
Horizontal Cut, typ.



Horizontal Polarization

RF Patterns
Vertical Cut, typ.



RF Patterns
Horizontal Cut, typ.

