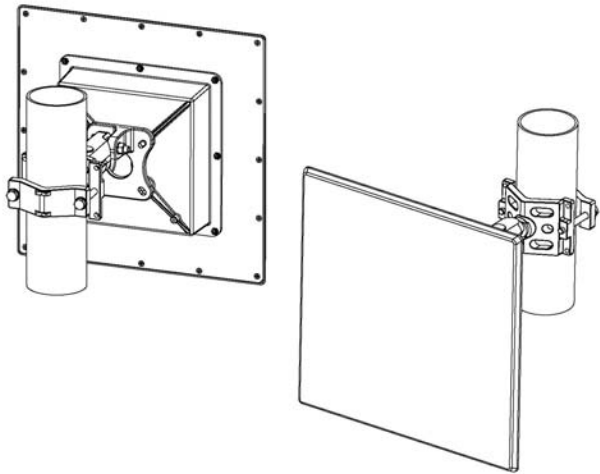




3.3-3.8GHz 18dBi Panel Antenna for ARC IES™, Integrated Enclosure Solution



- ◆ High gain, low cost circuit design
- ◆ Low profile and rugged design for outdoor use
- ◆ US Engineered
- ◆ Manufactured under strict US quality control procedures
- ◆ Fits with ARC's IES™, Integrated Enclosure Solution SOLD SEPARATELY— Part # ARC-IE1001K02 or ARC-IE2000K01 (Gen II); both include ARC ABS™, Articulating Bracket Solution
- ◆ Custom Enclosures Available

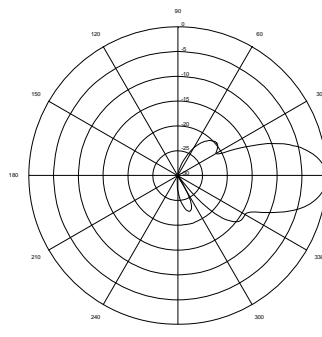
Mechanical and Environmental Specifications	
Length x Width x Depth	13.3in x 13.3in x .43in (338mm x 338mm x 10.9mm)
Weight	1.81lbs (.82kg)
Backplane	Aluminum
Radome	UV stabilized ABS plastic, gray
Wind Survivability	125mph (201kph)
Wind Load	1.23ft ² (0.12m ²)
Operating Temperature Range	-49°F to +149°F (-45°C to +65°C)
Pole Mount Diameter Range	0.75in to 3.0in (19mm to 76mm)

Electrical Specifications	
Frequency Range	3.3-3.8GHz
Gain	18dBi
3dB Beamwidth Vertical/Horizontal	22 degrees/16 degrees
Polarization	Single linear, horizontal or vertical
VSWR	≤1.5:1 typ., ≤1.7:1 max.
Front-to-Back Ratio	≤30 dB
Cross Polarization	≤20 dB
Power Rating	6 watts max
Impedance	50 ohms
Lightning Protection	DC ground
Connector Type	R/A SMA

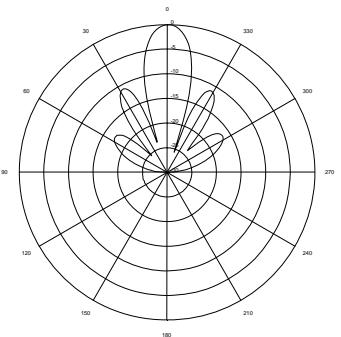
Ordering Information	
Part #	Description
ARC-IA3518B07	3.5GHz 18dBi, R/A SMA Flange Mount Jack

Shipping Information	
Sizes and Weights	Description
30.26in x 16.68in x 16in (769mm x 424mm x 406mm) 48lbs (21.77kg)	Bulk Pack, includes 10 single packs in an overpack box

RF Patterns
Vertical Cut, typ.



RF Patterns
Horizontal Cut, typ.



Rev 091808

www.antennas.com

Don't see what you need? Contact us to discuss alternate configurations

Specifications subject to change without notice