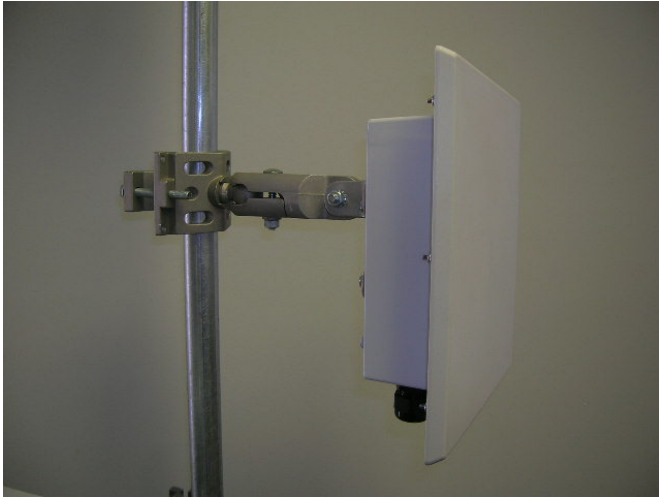


3.3-3.8GHz 15dBi Panel Antenna for ARC IES™, Integrated Enclosure Solution



- ◆ High gain, low cost circuit design
- ◆ Low profile and rugged design for outdoor use
- ◆ US Engineered
- ◆ Manufactured under strict US quality control procedures
- ◆ Fits with ARC's IES™, Integrated Enclosure Solution SOLD SEPARATELY— Part # ARC-IE1001K02 or ARC-IE2000K01 (Gen II); both include ARC ABS™, Articulating Bracket Solution
- ◆ Custom Enclosures Available

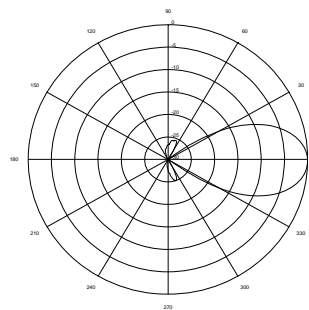
Mechanical and Environmental Specifications	
Length x Width x Depth	10.4in x 10.4in x 1.12in (264.6mm x 264.6mm x 28.5mm)
Weight	1.26lb (0.57kg)
Backplane	Aluminum
Radome	UV stabilized ABS plastic, gray
Wind Survivability	125mph (201kph)
Wind Load	0.75ft ² (0.069m ²)
Operating Temperature Range	-49°F to +149°F (-45°C to +65°C)
Pole Mount Diameter Range	0.75in to 3.0in (19mm to 76mm)

Ordering Information	
<u>Part #</u>	<u>Description</u>
ARC-IA3515B03	3.5GHz 15dBi, R/A SMA Flange Mount Jack

Shipping Information	
<u>Sizes and Weights</u>	<u>Description</u>
12.75in x 10.5in x 10.5in (324mm x 267mm x 267mm) 16lb (7.3kg)	Bulk Pack, includes 10 single packs in an overpack box

Electrical Specifications	
Frequency Range	3.3-3.8GHz
Gain	15dBi
3dB Beamwidth Vertical/Horizontal	25 degrees/35 degrees
Polarization	Single linear, horizontal or vertical
VSWR	≤1.5:1 typ., ≤1.7:1 max.
Front-to-Back Ratio	≤30 dB
Cross Polarization	≤20 dB
Power Rating	30 watts
Impedance	50 ohms
Lightning Protection	DC ground
Connector Type	R/A SMA Jack

RF Patterns
Vertical Cut, typ.



RF Patterns
Horizontal Cut, typ.

