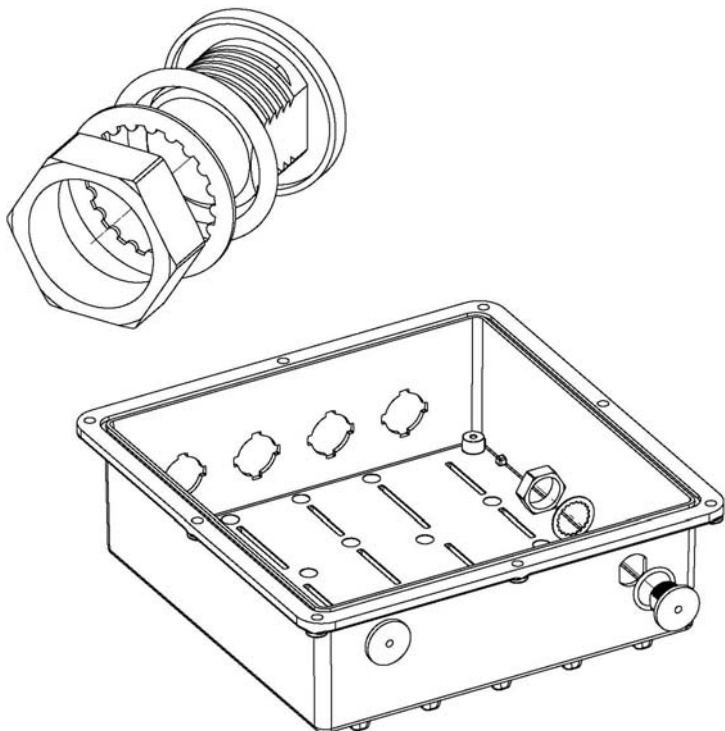


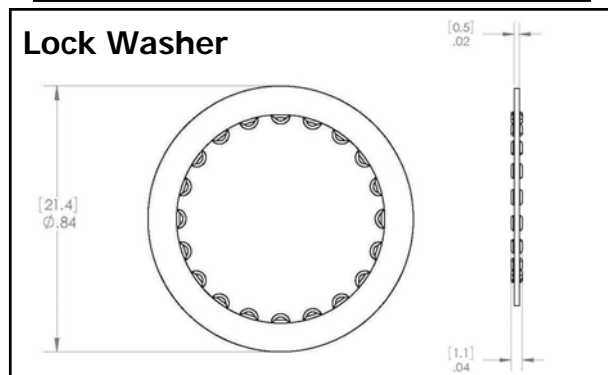
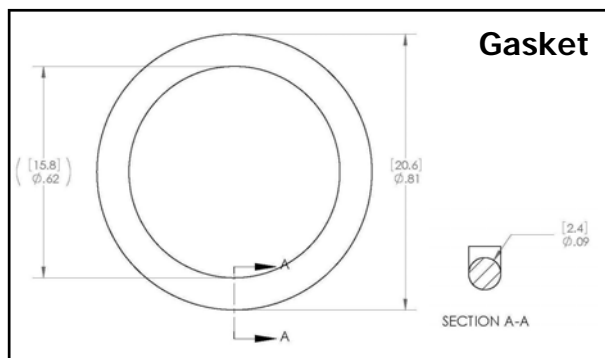
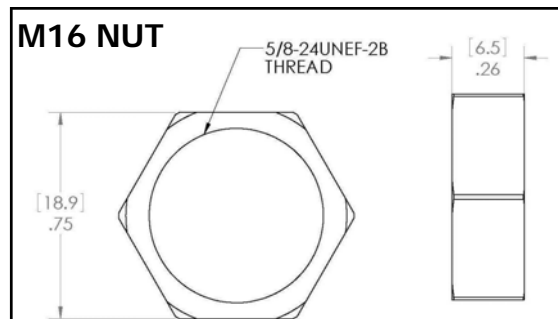
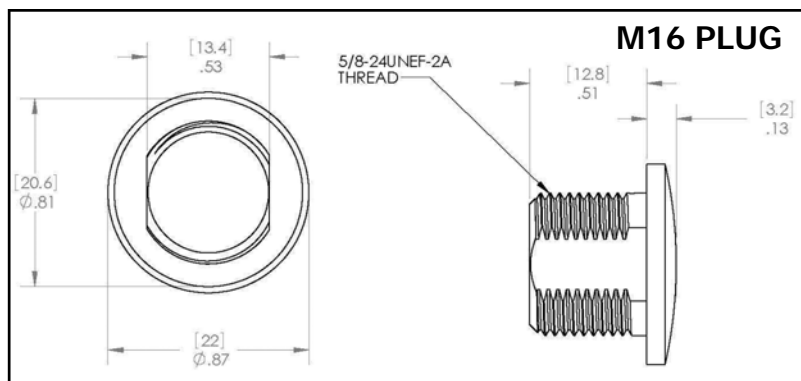
Metal Feed-Thru N Hole Plug for the ARC IES™ GEN II Integrated Enclosure Solution



- ◆ **Accessory kit for the ARC IES™ GEN II Integrated Enclosure Solution**
- ◆ **Kit Includes**
 - **50 M16 Plug Assemblies**
 - ◆ 1 NICKEL PLATED COPPER ALLOY M16 PLUG
 - ◆ 1 SILICONE GASKET
 - ◆ 1 NICKEL PLATED COPPER ALLOY LOCK WASHER
 - ◆ 1 NICKEL PLATED COPPER ALLOY M16 NUT
- ◆ **Patent Pending**

Environmental Specs	
Material	Plug, Washer & Nut - Plated Copper Alloy Gasket - Silicone
Finish	None
Color	Plug, Washer & Nut - Silver Gasket - Red or Black

Ordering Information	
Part #	Description
ARC-EP1000S01	ACCESSORY, ARC IES™ GEN II, METAL FEED-THRU N HOLE PLUGS



Shipping Information	
Sizes and Weights	Description
12in x 10in x 3in (30.5cm x 25.4cm x 7.6cm) 8lb, (3.6kg)	Bulk pack includes 50 metal M16 plug assemblies in an over pack box